

STAYING TRUE TO YOUR COURSE.

**Accu-Steer, Inc.**

HIGH-PERFORMANCE HYDRAULIC CONTROL OF STEERING SYSTEMS

# Defining **Reliability** through form and function.

(Each unit is completely tested after assembly)

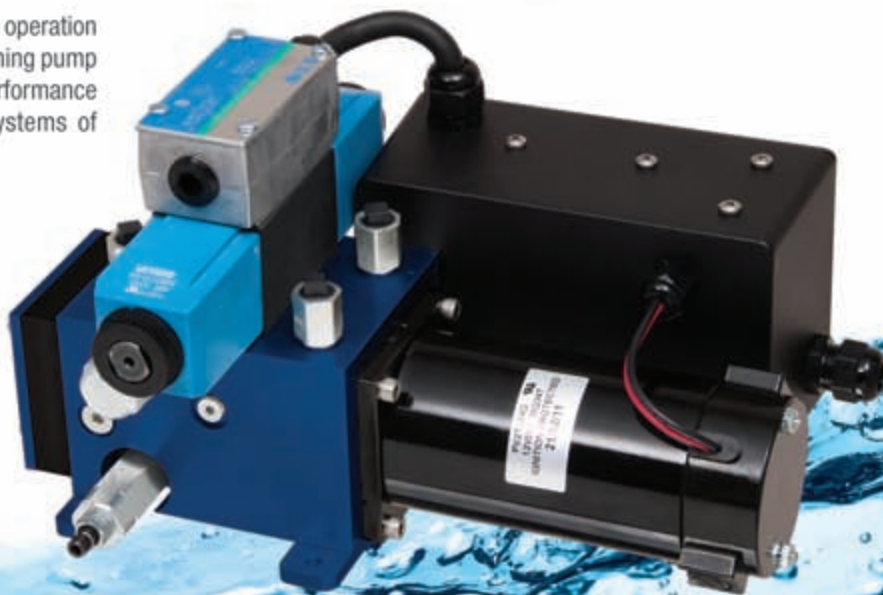
Dedicated to quality high-performance hydraulic control of steering systems for yachts and commercial vessels

## Medium-Duty Hydraulic Pump Unit **HPU100**

The Accu-Steer HPU100 offers adjustable flow rate operation (0.1 - 1.0 gal/min) and consists of a continuous running pump set and flow control that is second to none in performance and dependability. It accommodates steering systems of 50 cu. in. Available in 12 VDC or 24 VDC.

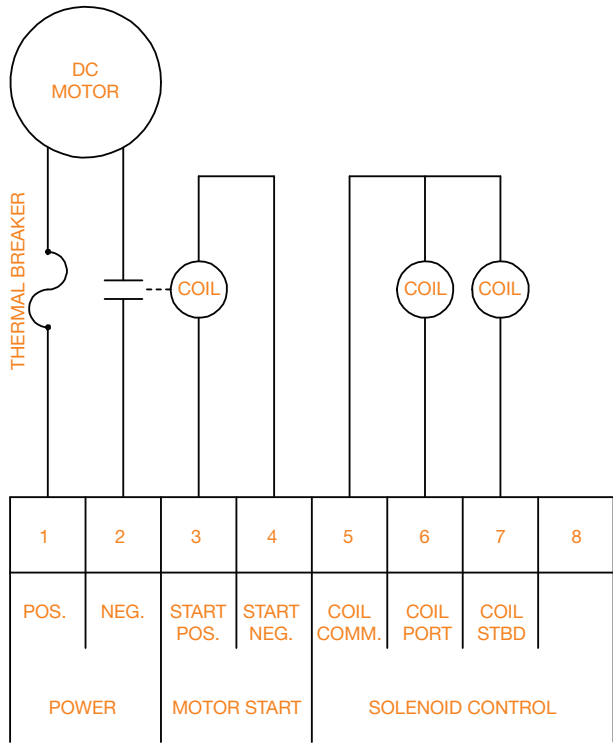
### FEATURES

- An adjustable flow rate of 0.1 - 1.0 gal/min
- Heavy-duty, high efficiency motor with oversized accessible brush gear and ball bearing construction
- Pressure relief
- Fast jogging
- Heavy-duty construction for long life and lasting dependability
- Ideal for new and retrofit applications
- Can be used with most autopilots

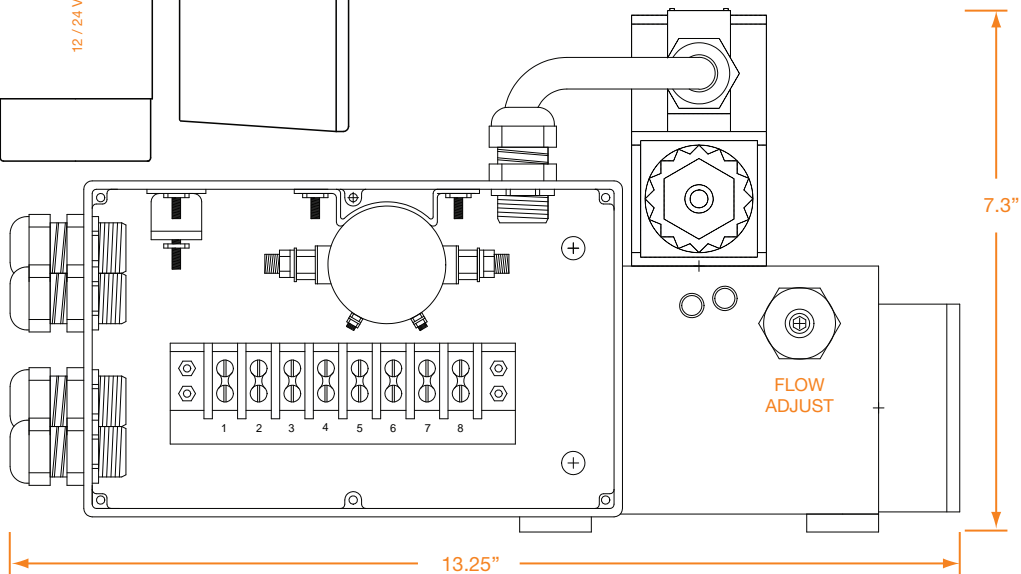
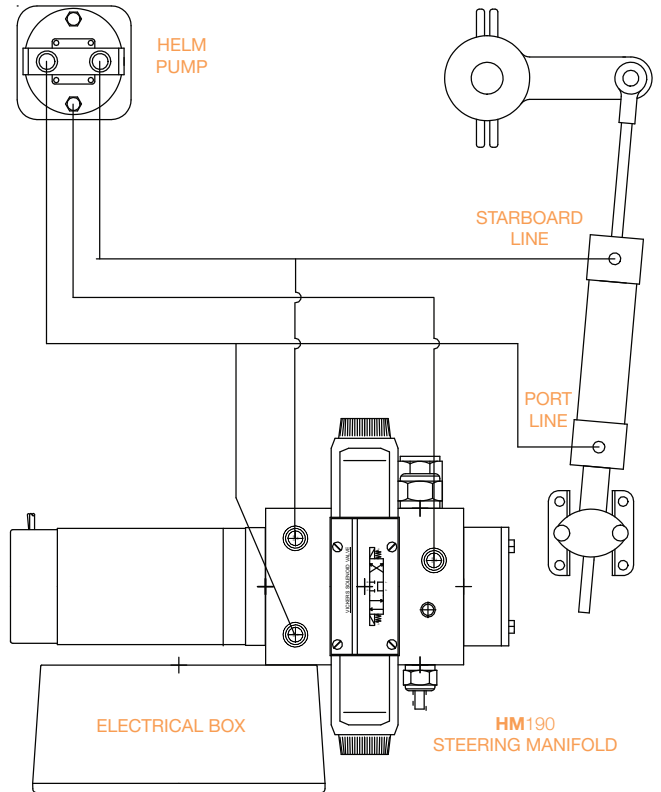
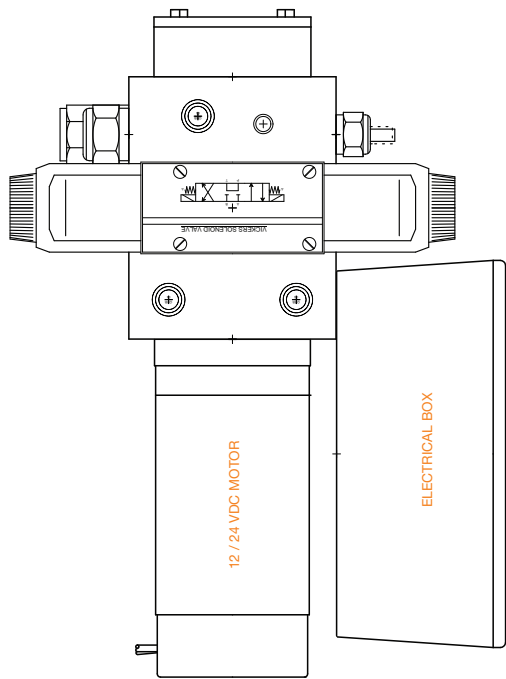
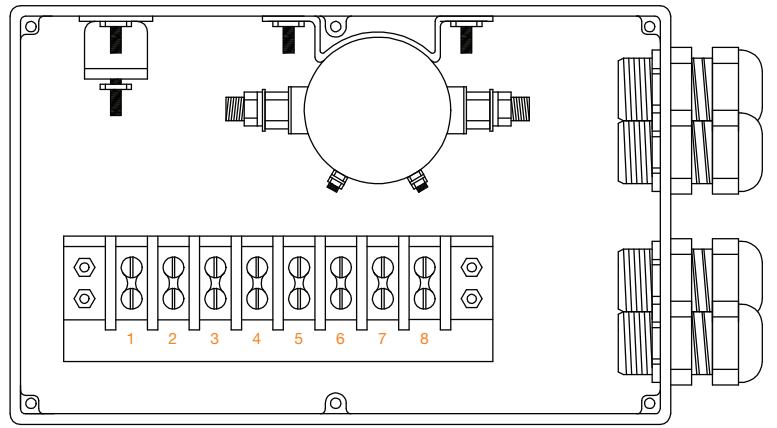


Accu-Steer, Inc. • Marina Square • 704 Coho Way • Bellingham, WA 98225

(360) 733-4565, tel • (360) 733-4575, fax • cs@Accu-Steer.com • www.Accu-Steer.com



DC Electrical Start Box Only



Shipping weight: 28 lbs • Dimensions: 14" x 12" x 12"