



MODEL 2044 HEAVY DUTY SIDEMOUNT SINGLE LEVER CONTROL

The model 2044 is available in two different versions: with neutral locking handle (as shown) for power boats or with removable sailboat handle.

Moving the control handle in either direction will engage the gear before advancing the throttle. In order to warm up the engine without engaging the gear, the handle can be pulled out approximately $\frac{1}{4}$ ". This will disengage the clutch mechanism and allow for engine acceleration only. Moving the handle back to neutral re-engages the clutch mechanism. The clutch travel is a maximum of 3" (76 mm) and the throttle travel is $1 \frac{3}{4}$ " (44 mm). The cable-attaching bracket can be rotated at 90° increments.

This control is also available as a master control for two stations together with model 2093. Please contact Kobelt for more details.

Materials: Die cast silicon bronze with stainless steel hardware.

Weight: 10 lbs (4.5 kg)

ORDERING INFORMATION

H – With one neutral safety switch

K – With chrome finish cover and handle

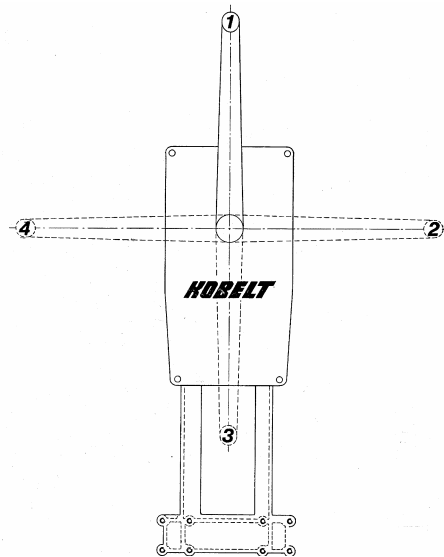
L – With polished brass finish cover and handle

M – With black epoxy finish cover and chrome handle

W – With removable sailboat handle

X – With neutral locking powerboat handle

This control can be **ordered** (but cannot be changed in the field) with the neutral position of the handle in any one of the four positions indicated. Position "1" is standard. Please add appropriate number when ordering.



Example: 2044 control with chrome finish and powerboat handle in the standard position, the ordering number is 2044-KX1

Note: If a neutral safety switch is required it should be ordered with the control. Later installation can be very difficult.

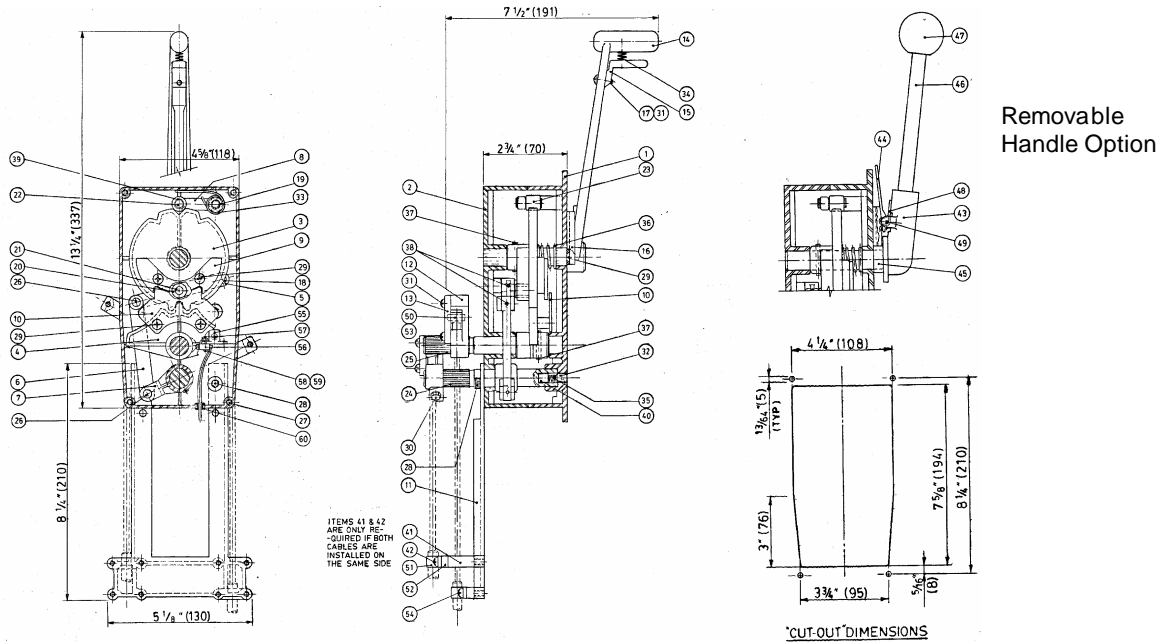
One cable connection kit for clutch and one for throttle must be ordered separately.

Ordering number:

2044-0901 (30 series cable)

2044-0902 (40 series cable)

2044 DIMENSIONS AND PARTS LIST



Item	Qty.	Part Number	Description
1	1	2044-0001	Front Cover
2	1	2044-0002	Rear Cover
3	1	2044-0003	Center Cam
4	1	2044-0004	Clutch Gear
5	1	2044-0005	Link No. 1
6	1	2044-0006	Link No. 2
7	1	2044-0007	Throttle Lever
8	1	2044-0008	Detent Lever
9	1	2044-0009	Cam retainer
10	1	2044-0010	Clutch Retainer
11	1	2044-0011	Mounting Bracket
12	2	2044-0012	Output Lever
13	2	2044-0013	Retainer Plate
14	1	2044-0014	Handle
15	1	2044-0015	Locking Latch
16	1	2044-0016	Locking Bracket
17	1	2044-0017	Bushing
18	1	2044-0018	Solid Pin
19	1	2044-0019	Shoulder Bolt
20	1	2044-0020	Throttle Roller
21	1	2044-0021	Throttle Roller Pin
22	1	2044-0022	Snap Ring Pin
23	1	2044-0023	Detent Roller
24	1	2044-0024	Throttle Shaft
25	1	2044-0025	Clutch Shaft
26	2	2044-0026	Solid Link Pin
27	4	1022-0812	Socket Hd Screw
28	2	1002-1008	Socket Hd Screw
29	7	1009-0806	Hex Hd Screw
30	2	1016-1008	Set Screw
31	5	1010-0810	Round Hd Screw
32	1	1016-1204	Set Screw
33	1	1203-0006	Spring
34	1	1201-0009	Spring
35	1	1201-0003	Spring

Item	Qty.	Part Number	Description
36	1	1201-0108	Spring
37	1	1024-0816	Spring Pin
38	3	1024-0508	Spring Pin
39	2	1029-1025	Snap Ring Pin
40	1	2542-0008	Friction Pad
41	2	2044-0030	Spacer
42	2	1010-0836	Round Hd Screw
Removable Handle Option			
43	1	2044-0031	Handle Hub
44	1	2044-0032	Locking Latch
45	1	2044-0033	Spacer
46	1	2044-0034	Handle Shaft
47	1	2030-0001	Knob
48	1	1203-0007	Spring
49	1	1024-0512	Spring Pin
2044-0901 (30 series) Connection Kit			
50	1	2105-0001	Clevis
51	1	2108-0001	Clamp
52	1	2109-0001	Spacer
53	1	1037-0411	Pin
54	2	1010-0810	Round Hd Screw
2044-0902 (40 series) Connection Kit			
50	1	2105-0002	Clevis
51	1	2108-0002	Clamp
52	1	2109-0001	Spacer
53	1	1037-0411	Pin
54	2	1010-0816	Cotter Pin
2044-0903 Neutral Safety Switch Kit			
55	1	2046-0028	Bracket
56	1	6001-1111	Micro switch
57	1	1006-0604	Pan Hd Screw
58	2	1004-0208	Round Hd Screw
59	2	1022-0102	Nut
60	1	6001-1325	Grommet