



## MODEL 2047 SINGLE LEVER CONTROL HEAD

This control head was developed by Kobelt Manufacturing as a smaller version of the 2048 yet incorporates all of the nice features of the latter. The throttle travel is 2-3/8" and the maximum clutch travel is 3".

This unit is constructed entirely of bronze and stainless steel. It can be used in either push or pull mode for the clutch or throttle. A roller type detent is incorporated into the 2047 as well as an independent throttle override.

### ORDERING INFORMATION

#### Model Designations:

- J – With two neutral safety switches
- K – With chromed cover and handles
- L – With brass finish cover and handles
- M – With black epoxy painted cover and chromed handles
- U – With curved handles and plastic knob
- V – With T-bar handle and plastic handle grips
- Y – With T-bar handle
- Z – With metal labels

The standard model 2047 control head is supplied with chromed cover and "U" handles as shown.

To order, state model number followed by Model Designation letter codes.

**Example:** Model 2047 control head chromes would be a 2047-KU

Cable connector kits are ordered separately. Each push pull cable end attached to the control head requires one kit.

#### Ordering Numbers:

(30 Series) 1 Kit = 2 cables  
2047-0901T Kit for Throttle  
2047-0901C Kit for Clutch

(40 Series) 1 Kit = 2 cables  
2047-0902T Kit for Throttle  
2047-0902C Kit for Clutch

2047-0903 Neutral Safety Switch Kit

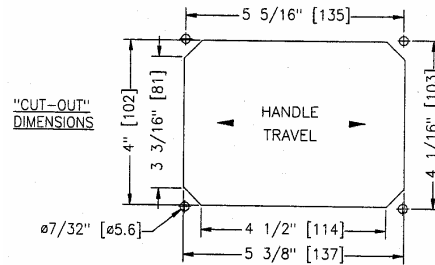
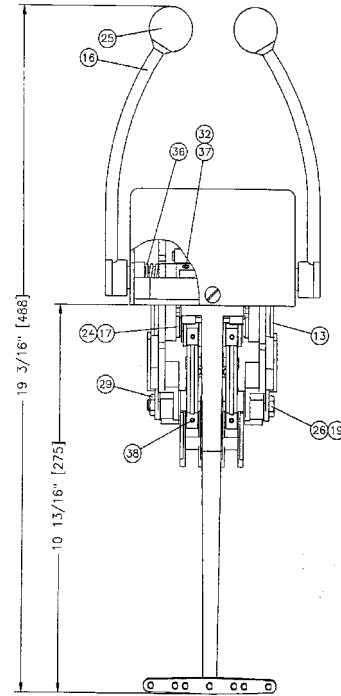
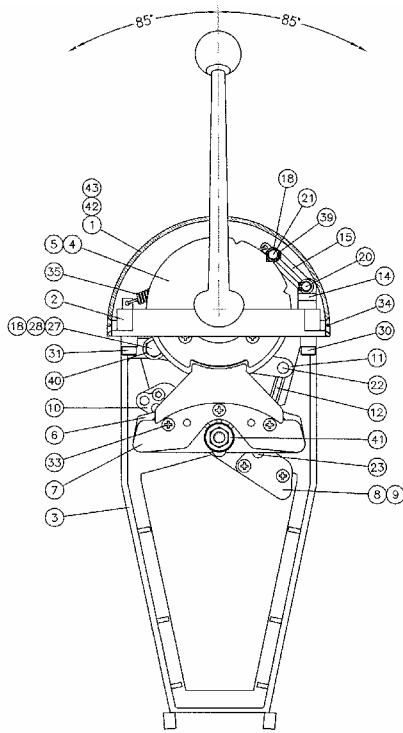
**Important:** Model 2047 is designed to work as a single station unit only. If two stations are needed, model 2092 should be used.

Weight: 8.8 lbs. (4 kg)

When comparing the value of this control with that of any other single lever control on the market, it is not difficult to conceive why boaters would choose nothing but the 2047 which will outlast any other product in the market place by a wide margin.

This places our product as the most price effective and reliable control of its kind.

# MODEL 2047 PARTS LIST



All Dimensions in inches (mm)

ITEM	QTY	PART NUMBER	DESCRIPTION	ITEM	QTY	PART NUMBER	DESCRIPTION
1	1	2047-0001	Dome	24	2*	2046-0023	Solid Pin
2	1	2047-0002	Frame	25	2	2030-0011	Knob
3	1	2047-0003	Support	26	1	1001-1156	Hex Bolt
4	1	2047-0004L	Centre Cam	27	1	1001-1036	Hex Bolt
5	1*	2047-0004R	Centre Cam	28	1*	1022-0210	Jam Nut
6	2	2047-0005	Pivot Plate	29	1	1022-0311	Lock Nut
7	2	2047-0006	Retainer	30	2	1002-1020	Hex Socket Head Screw
8	2	2047-0007L	Pin Retainer	31	2	1002-1010	Hex Socket Head Screw
9	2*	2047-0007R	Pin Retainer	32	2*	1016-0804	Set Screw
10	2	2047-0008	Throttle Cam	33	14	1009-0808	Flat Hd Phillips Screw
11	2	2047-0009	Throttle Arm	34	2	1011-0808	Oval Hd Phillips Screw
12	2	2047-0010	Link	35	2	1202-0002	Spring
13	2	2047-0011	Cam Retainer	36	2	1201-0204	Spring
14	1	2047-0012	Pillow Block	37	2	1024-0816	Spring Pin
15	2	2047-0013	Detent Arm	38	6	1024-0508	Spring Pin
16	2	2047-0014	Handle	39	6	1029-1025	Snap Ring
17	2	2046-0027	Throttle Roller	40	4	1023-0232	Washer
18	4	2047-0015	Bushing	41	2	1023-0237	Washer
19	2*	2047-0016	Bearing	42	2*	2050-0026	Label
20	1	2047-0017	Snap Ring Pin	43	4*	1032-0304	Rivet
21	2	2047-0018	Snap Ring Pin	44	1*	2542-0008	Friction plug
22	2	2047-0019	Solid Pin	45	1*	1201-0002	Spring
23	2	2047-0020	Solid Pin	46	1*	1016-1204	Set screw

\* varies with options