



MODEL 2050 HEAVY DUTY SINGLE LEVER CONTROL HEAD

The model 2050 control head was designed for the demanding boat owners who require a non-corrosive unit that offers dependability, accuracy and many years of trouble-free service. This line of Kobelt quality products has a total absence of aluminum and is made from die cast silicon bronze and stainless steel hardware. The overriding throttle is interlocked and is only operative when the single lever control handle is put in neutral position. When the overriding throttle is moved above idling it is not possible to engage the gear until the throttle handle is returned to the idle position. The overriding throttle is limited to approximately 2/3 maximum engine speed. This control head has provision for five different connecting points for the throttle cable and therefore provides five different stroke lengths. In order to obtain engine acceleration the cable must be installed to provide a pulling action on the speed setting device. The clutch control cam is equipped with four different connecting points for the clutch cable. The clutch cable can be installed to provide either push or pull for either forward or reverse directions.

ORDERING INFORMATION

Model Designations:

- H - with one neutral safety switch
- K - with chrome finish cover and handle
- L - with satin brass finish cover and handle
- M - with black epoxy finish cover and handle
- NN - with one long handle with friction and detent
- PP - with one short handle with friction and detent
- S - right hand model
- T - left hand model

The standard model 2050 control head is supplied as:

- i. With chrome finish cover and handle (K)
- ii. Without neutral safety switch
- iii. With long handle with friction and detent (NN)
- iv. Right hand model (S)

To order, state model number followed by Model Designation letter codes.

Example. 2050-KNNS

Note:

Cable connector kits are ordered separately. Each push pull cable end attached to the control head requires one kit.

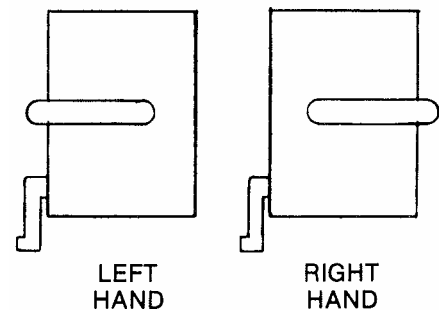
Ordering numbers:

2050-0901 for no. 10-32 (30 series) connector kit

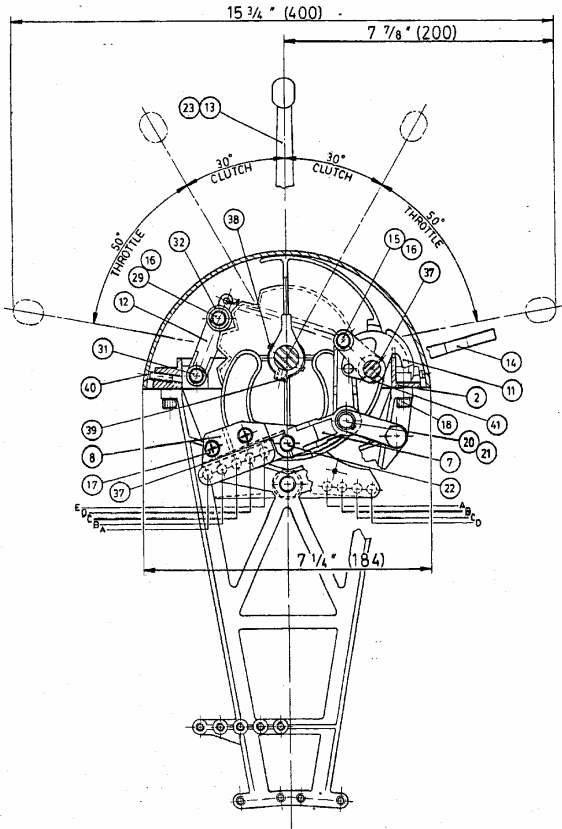
2050-0902 for 1/4-28 (40 series) connector kit

2050-0903 for Neutral Safety Switch kit

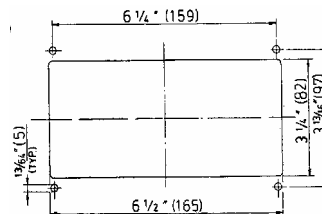
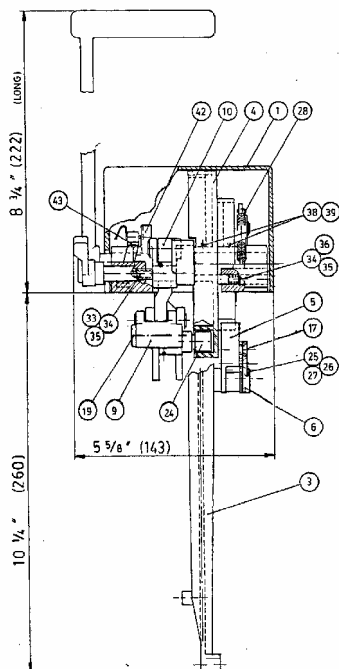
Weight: 10 lb. (4.5 kg)



DIMENSIONS AND PARTS LIST MODEL 2050



Item	Qty	Part Number	Description
1	1	2050-0001	Dome
2	1	2050-0002	Frame
3	1	2050-0003	Support
4	1	2050-0004	Center Cam
5	1	2050-0005	Pivot Gear
6	1	2050-0006	Pivot Plate Cable Clamp
7	1	2050-0007	Cable Clamp Arm
8	1	2050-0008	Cable Clamp
9	1	2050-0009	Clevis
10	1	2050-0010	Link
11	1	2050-0011	Throttle Override Link
12	1	2050-0012	Detent Link
13	1*	2534-0003	Handle (long)
14	1	2050-0013	Throttle Handle
15	1	2050-0014	Pin
16	6	1029-1031	Snap Ring
17	5	1009-0808	Flat Hd Phillips Screw
18	4	1002-1010	Socket Hd Cap Screw
19	1	2050-0015	Shoulder Screw
20	1	2050-0016	Pin
21	2	1029-1037	Snap Ring
22	1	2050-0017	Pin
23*	1*	2534-0004	Short Handle
24	1	2050-0018	Roller Guide
25	1	1001-1220	Bolt
26	1	1023-0235	Washer
27	1	2050-0019	Roller Bushing
28	1	1202-0001	Tension Spring
29	1	2050-0020	Pin
31	1	2050-0022	Pin
32	1	2542-0003	Roller
33	1	2545-0012	Detent Pin
34	2	1201-0062	Spring
35	2	1016-1204	Set Screw
36	1	2545-0021	Friction Plug
37	2	1024-0512	Spring Pin
38	3	1024-0816	Spring Pin
39	2	1016-1004	Set Screw
40	2	1005-0808	Oval Head Screw
41	1	1016-0804	Setscrew
42	1	2050-0023	Switch Actuator
43	1*	2050-0903	Neutral Safety Switch



Installation Dimensions