

Picture shows 6527-S actuator with cable (not included in standard unit)

## Model 6527-S Electronic Actuator

Being a modified version of the regular 6527 actuator, the 6527-S actuator is used exclusively in the Kobelt Mighty Mariner System to operate and position lever-actuated mechanisms. Using the latest technology in propulsion control, this actuator unit forms the heart of the Mighty Mariner Control System. The actuator monitors all input information from the control heads and their associated switch panels, its lever position as well as the synchronizer input. This actuator also controls and positions its Throttle and Clutch levers and communicates with the control stations through panel lights and sonalerts. The 6527-S electronic actuators are constructed in bronze and stainless steel, except for the motor and worm. This unit has a high torque of 180 in-lbs.

The basic unit on Model 6527-S comes with manual override and one trim pot per side for stroke adjustment. The actuator does not have an internal resilient link. Hence the stroke must be precisely adjusted to suit the device being controlled.

Note: This actuator is not waterproof and therefore should not be immersed in liquid or washed.

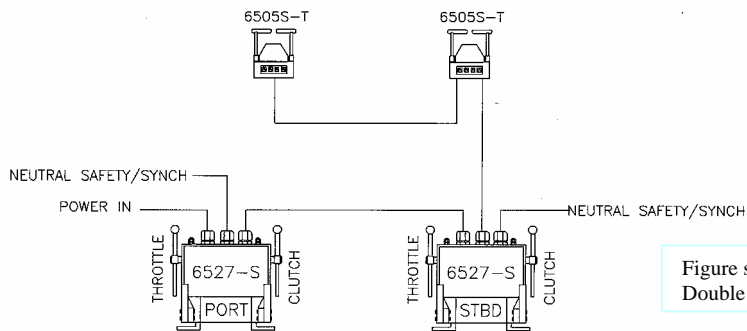
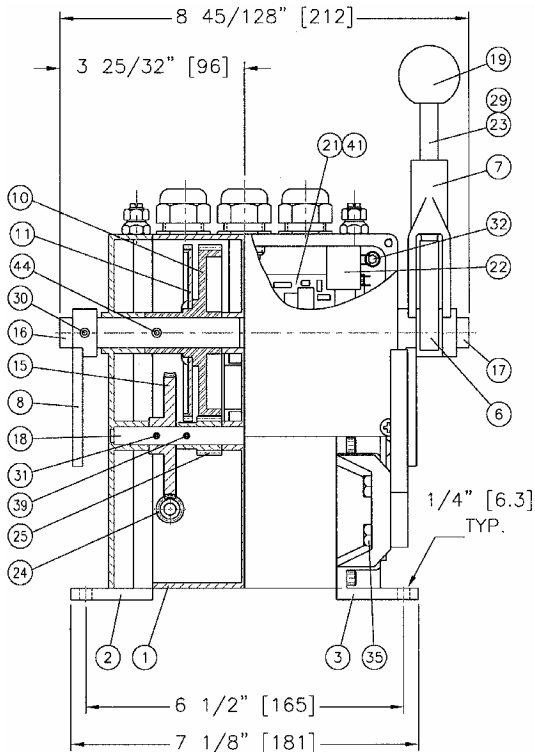
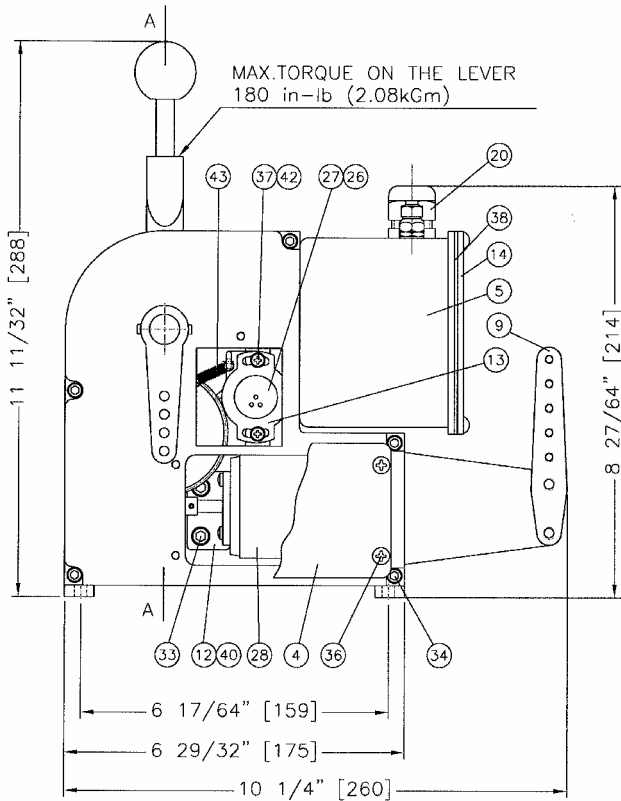


Figure shows typical configuration for Double station Twin engine system

# MODEL 6527-S



SECTION A-A

| Item | Qty | Part Number | Description                         |
|------|-----|-------------|-------------------------------------|
| 1    | 1   | 6527-0001   | Centre Housing                      |
| 2    | 1   | 6527-0002   | Side Housing                        |
| 3    | 1   | 6527-0003   | Side Housing                        |
| 4    | 2   | 6527-0004   | Cover                               |
| 5    | 1   | 6527-0005   | Connection Housing                  |
| 6    | 1*  | 6527-0006   | Disconnect Cam                      |
| 7    | 1*  | 6527-0007   | Disconnect Arm                      |
| 8    | 1*  | 6527-0008   | Lever                               |
| 9    | 2   | 6527-0009   | Stationary Arm                      |
| 10   | 2   | 6527-0010   | Spur Gear                           |
| 11   | 2   | 6527-0011   | Feedback Gear                       |
| 12   | 2   | 6527-0012   | Motor Bracket, right                |
| 13   | 1   | 6527-0013L  | Potentiometer Bracket – left        |
| 13   | 1   | 6527-0013R  | Potentiometer Bracket – right       |
| 14   | 1   | 6527-0014   | Cover                               |
| 15   | 2   | 6527-0015   | Worm Pinion                         |
| 16   | 1*  | 6527-0016   | Shaft - Short                       |
| 17   | 1*  | 6527-0017   | Shaft - Long                        |
| 18   | 2   | 6527-0018   | Shaft                               |
| 19   | 2   | 2030-0001   | Knob Black                          |
| 20   | 3   | 6001-0249   | Connecting Gland                    |
| 21   | 2   | 6527-1001   | Circuit Board                       |
| 22   | 2   | 6002-4000   | Trim Pot – 1K                       |
| 23   | 1*  | 6524-0015   | Handle                              |
| 24   | 2   | 6524-0019   | Worm                                |
| 25   | 2   | 6524-0021   | Pinion                              |
| 26   | 2   | 6524-0022   | Potentiometer Drive Gear            |
| 27   | 2   | POT-6       | Potentiometer – 5K                  |
| 28   | 2   | Motor-14201 | Motor Pittman 24VDC, "14201E175-R1" |
| 29   | 1*  | 1201-0140   | Spring                              |
| 30   | 4   | 1024-0818   | Spring Pin                          |
| 31   | 2   | 1024-0512   | Spring Pin                          |
| 32   | 4   | 1002-0806   | Socket Hd Cap Screw                 |
| 33   | 4   | 1002-1008   | Socket Hd Cap Screw                 |
| 34   | 10  | 1002-0808   | Socket Hd Cap Screw                 |
| 35   | 4   | 1001-1012   | Hex Hd Machine Screw                |
| 36   | 22  | 1010-0806   | Round Hd Philips Screw              |
| 37   | 20  | 1012-0606   | Pan Hd Philips Screw                |
| 38   | 1   | 6527-0022   | Gasket                              |
| 39   | 2   | 1024-0510   | Spring Pin                          |
| 40   | 1   | 6527-0012A  | Motor Bracket, left                 |
| 41   | 1   | 6527-1002   | Heat Sink                           |
| 42   | 4   | 6527-0020   | Bushing                             |
| 43   | 2   | 1202-0011   | Spring                              |
| 44   | 2   | 1024-0814   | Spring Pin                          |

\* Quantity may vary

Weight : 24 lbs (11 kg)

All dimensions in inches (mm)

# MODEL 6527-S

