



U.S. Patent D593481S
European Ind. Design Reg. # 000986104-0001

MODEL 6580 Engine Control Head (Diamond Head)

The 6580 Diamond Head Control was developed to add peace of mind while navigating. With its robust design, constructed entirely in bronze and stainless steel, available in black or white epoxy, the 6580 Diamond Head is complete with dual handles, membrane switches and simulated RPM and clutch indicators.

This unique control allows you to operate twin engines electronically via the handles or in back-up mode via the touch membrane switches. The forward, neutral and reverse switches on either side of the control allows you to operate the gear box from neutral to forward or reverse without moving the handles. In order to operate in back up mode both diamonds must be pushed simultaneously. The (+) and (-) button will increase or decrease the engine speed. The centrally located keypad consists of the Station Select, Station Lock, Throttle Override and Engine Synchronization modes of operation.

The 6580 Diamond Head Control is compatible with the popular Kobelt Mighty Mariner System.

* For twin engine use only.

Options available: color – black (B), white (W)
Basic function or with back up (Z)

Ordering Information

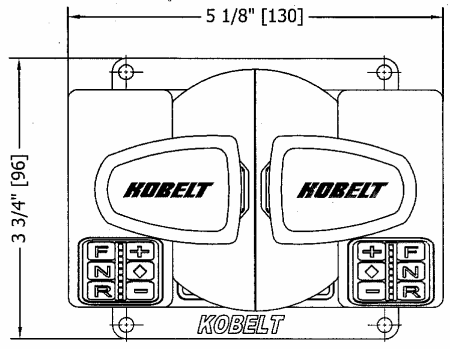
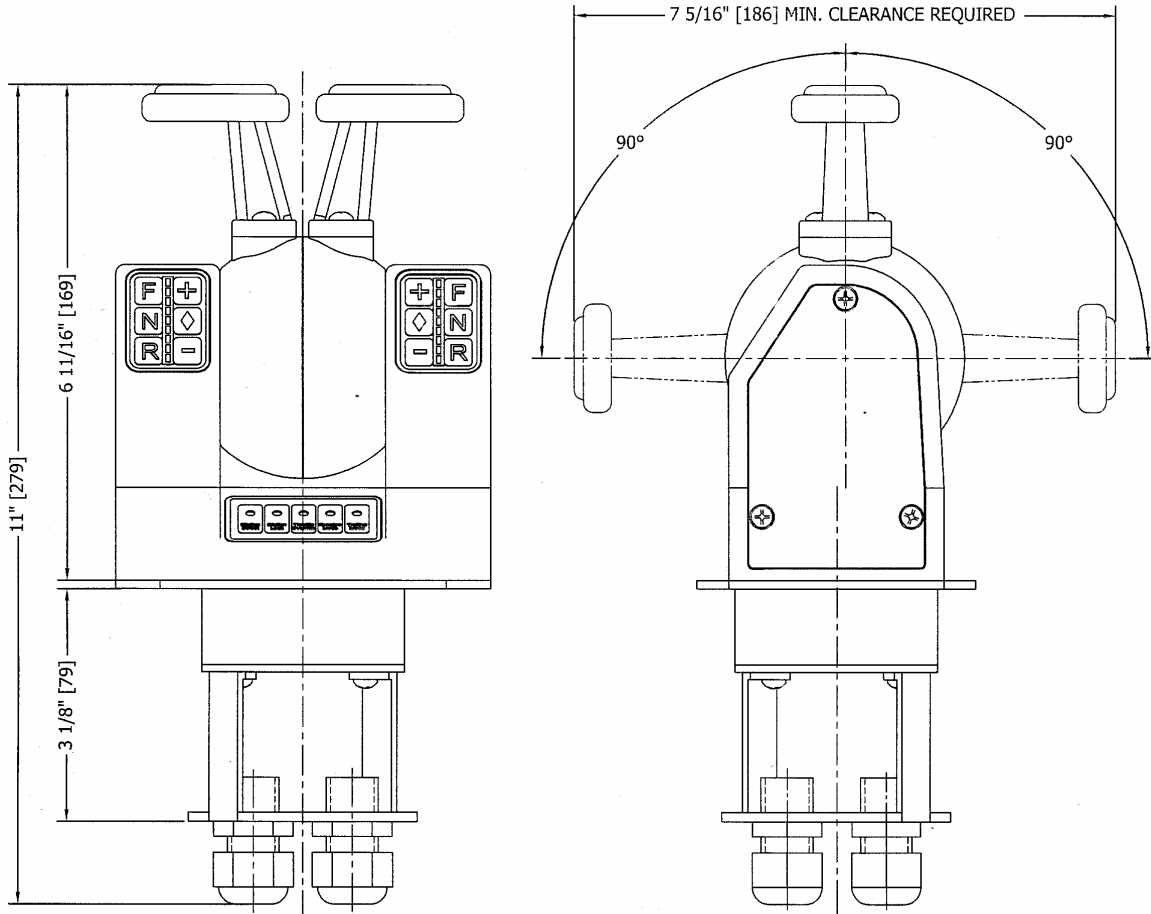
To order state model number followed by the desired designation letter codes:

For example: system with no back up (Basic), use 6580-TB

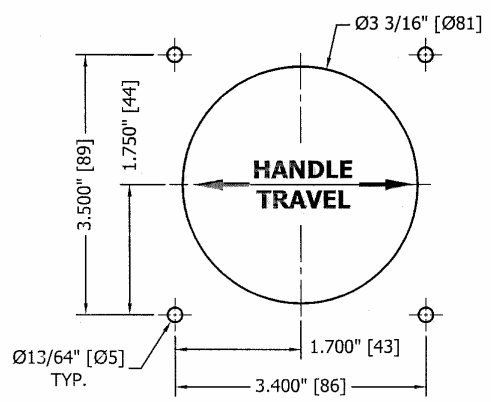
System with back up feature, use 6580-TBZ

where TB stands for twin engine and black body finish

INSTALLATION DIMENSIONS MODEL 6580



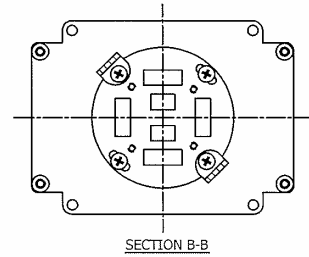
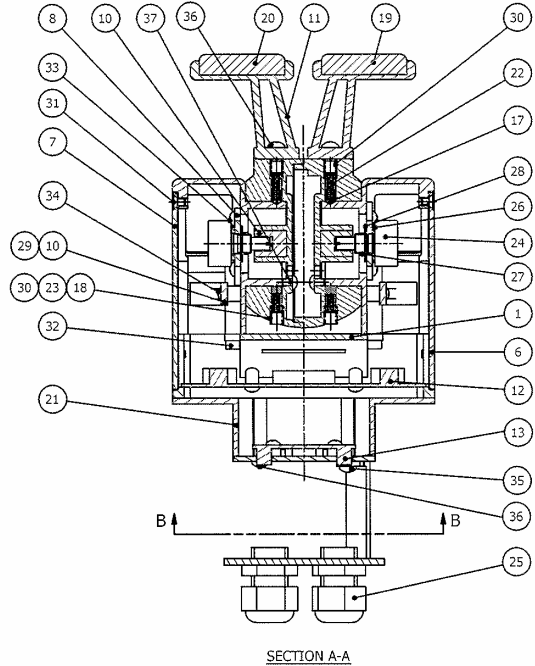
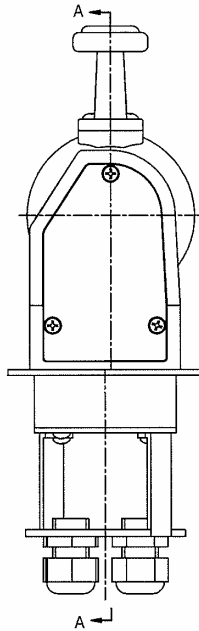
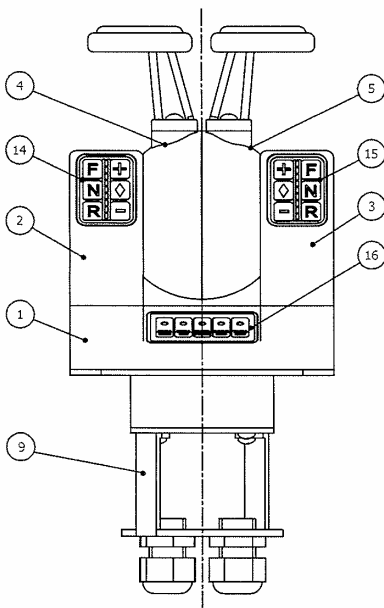
TOP VIEW



"CUT-OUT" DIMENSIONS

Data displayed are for information only and subject to change without notice

MODEL 6580 PARTS LIST



Item	Qty	P/N	Description	Item	Qty	P/N	Description
1	1	6580-0002	Base housing	19	1	6652-0011L	Rubber insert, left
2	1	6580-0003L	Left housing	20	1	6652-0011R	Rubber insert, right
3	1	6580-0003R	Right housing	21	1	6580-0001	Mounting housing
4	1	6580-0004L	Dome housing, left	22	2	1201-0227	Spring
5	1	6580-0004R	Dome housing, right	23	2	1201-0228	Spring
6	1	6580-0005L	Left housing cover	24	2	Pot-1	Potentiometer, 1K
7	1	6580-0005R	Right housing cover	25	4	6001-0249	Cable gland, 1/2" NPT
8	2	6580-0006	Pot holding bracket	26	2	6639-0001	Pot washer
9	1	6580-0014	Cable gland holder	27	2	Pot nit	Pot nut
10	2	6580-0016	Pot rubber holder	28	2	Pot LW	Pot lock washer
11	2	6580-00217	Handle	29	2	6652-0016	Foam
12	1	6580-0018	PCB, top	30	4	1016-1004	Set screw
13	1	6580-0019	PCB, bottom	31	6	1009-0704	Flat head cap screw
14	1	Label-6580-L	Label, left	32	4	1002-0706	Socket head cap screw
15	1	Label-6580-R	Label, right	33	18	1012-0604	Pan head screw
16	1	Label-6580-M	Label, centre	34	4	1012-0607	Pan head screw
17	2	6580-0021	Detent	35	2	1012-0704	Pan head screw
18	2	6580-0022	Friction	36	6	1012-0706	Pan head screw
				37	2	1012-0603	Pan head screw

For updated information, please call our Sales and Technical Support department