



MODEL 7004 FIXED CAPACITY HELM PUMP

The Model 7004 Helm Pump is a fixed displacement pump producing 3.4 cu. in. per turn. Higher capacity at 4.5 cu. in. per turn is also available. Incorporated with lock valves, filler plug and interconnecting plugs, the pump can be used in multi-station applications. When used with the Kobelt tilt up mechanism, this model forms an excellent choice in the steering system. Details see our product model 7035.

It is constructed in bronze and stainless steel for the majority of the components. Bearings, pistons and pintol are made of hardened and ground steel. Designed for heavy duty applications, the unit can be installed almost anywhere on the boat. It is a true marine product well covered by the standard Kobelt warranty.

Standard capacity: 3.4 cu. in. per turn
Option: 4.5 cu. in. per turn

Nominal working pressure: 1000 psi

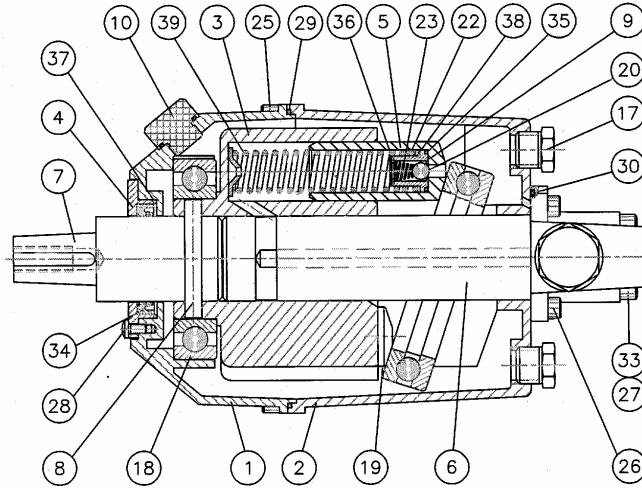
Ordering Information

- A - with cast bronze finish
- B - with black epoxy finish
- L - with long shaft
- N - with short shaft
- T: - with tapered shaft
- X - high capacity (4.5 cu. in) option
- V - with vent plug

Example: 7004-AL is for a long shaft, standard 3.4 cu. in. capacity model with cast bronze finish.

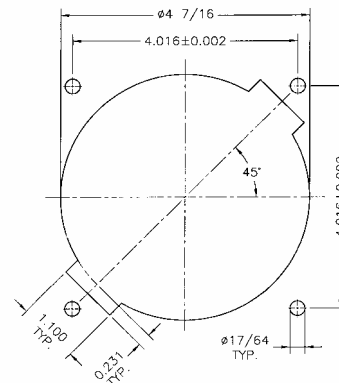
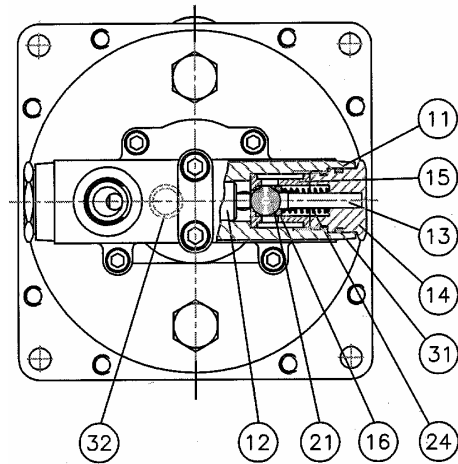
Weight: 17.5 lb. (8 kg)

MODEL 7004



ITEM	QTY	PART NO.	DESCRIPTION
1	1	7004-0001	Front Housing
2	1	7004-0102	Rear Housing
3	1*	7004-0103	Rotor
3	1*	7004-0104	Rotor (high cap.)
4	1	7004-0005	Seal retainer (old model)
4	1	7004-1005	Seal retainer (new model)
5	7*	7004-0106	Piston
5	7*	7004-0107	Piston (high cap.)
6	1	7004-0108	Pintol
7	1*	7004-0009	Straight Shaft (short)
7	1*	7004-0010	Straight Shaft (long)
7	1*	7004-1009	Taper Shaft (short)
7	1*	7004-1010	Taper Shaft (long)
8	1	7005-0027	Pin
9	7	7004-0012	Ball Retainer
10	1*	7003-0028	Filler Plug
10	1*	7003-0029	Vented Filler Plug
11	1	7004-0013	Lock Valve Body
12	1	7004-0014	Shuttle
13	2	7004-0015	Pin
14	2	7004-0016	End Cap
15	2	7005-0026	Ball Seat
16	2	7005-0031	Spring Seat
17	2	7005-121B	Hex Plug
18	1	7004-6009	Ball Bearing
19	1	7005-51112	Thrust Bearing
20	7	1301-0108	Ball
21	2	1301-0112	Ball
22	7	1201-0221	Spring
23	7	1201-0163	Spring
24	2	1201-0165	Spring
25	8	1002-1006	Hex Socket Hd Cap Screw
26	4	1002-0808	Hex Socket Hd Cap Screw
27	2	1002-1028	Hex Socket Hd Cap Screw
28	3	1012-0604	Pan Hd Philips Cap Screw
29	1	1101-0046	"O" Ring
30	1	1101-0029	"O" Ring
31	2	1101-0017	"O" Ring
32	2	1101-0011	"O" Ring
33*	2	1101-0010	"O" Ring
34	1	1102-4021	Oil seal unit
35	7	1101-0014	"O" Ring
36	7	1029-6037	Self Locking Retaining
37	1	1101-0030	"O" Ring
38	7	1023-0214	Washer
39	7*	7003-0032	Spring Seat (7/8" piston)
39	7*	7005-0032	Spring Seat (1" piston)

* Quantity may vary with options



Panel Cut-out dimension

All Dimensions in inches (mm)