



Picture shown with steering wheel

MODEL 7035 TILT UP STEERING

Due to the simplified construction and selection of superb materials, this pump would outlast any other product on the market by 10 to 1.

The KOBELT design eliminates the universal joint. Instead, the entire helm pump moves with the wheel as an integral unit when rotated up or down.

The tilting mechanism provides five locking positions at 10° increments with a total rotation of 50°. This unit is available with helm pumps Model 7031 or Model 7004.

The pump Model 7031 has options of 2 cu. in. or 2.6 cu. in. volume per turn and our Model 7004 has a nominal volume of 3.4 cu. in. or 4.5 cu. in. per turn.

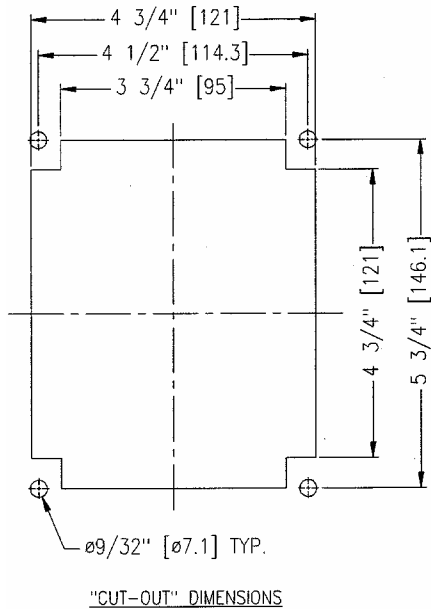
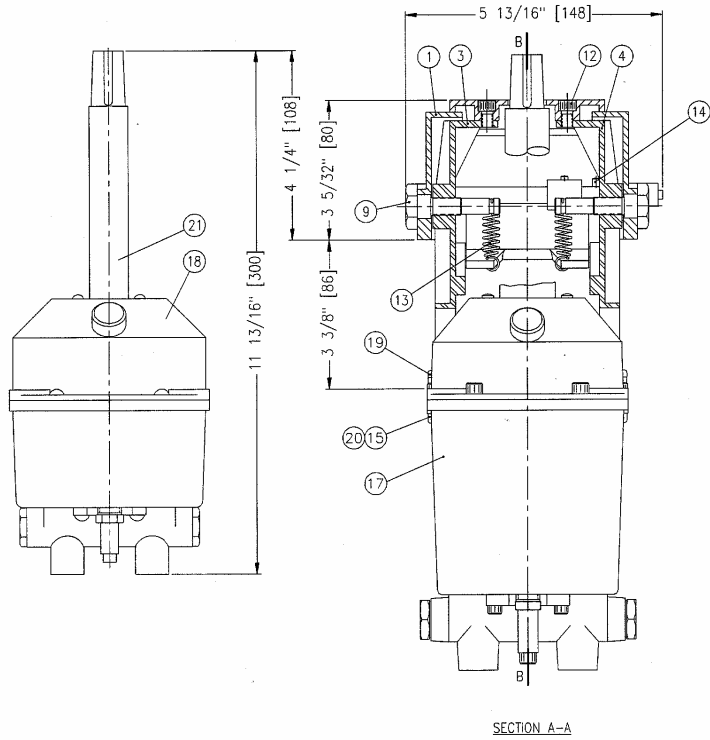
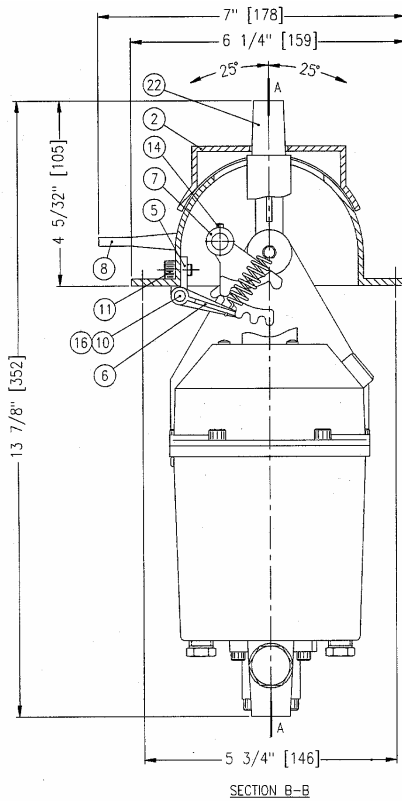
The tilt up mechanism and the helm pumps are constructed in bronze with stainless steel hardware. The pumps have hardened pistons, standard thrust and ball bearings.

The Model 7035 Tilt Up Steering is manufactured under U.S. Patent No. 5676081.

OPTIONS

7035	2 cu. in.
7035-X	2.6 cu. in.
7035-O	3.4 cu. in.
7035-OX	4.5 cu. in.

MODEL 7035



ITEM	QTY	PART NUMBER	DESCRIPTION
1	1	7035-0001	Dome
2	1	7035-0002	Cover
3	1	7035-0003	Left Hand Support
4	1	7035-0004	Right Hand Support
5	2	7035-0005	Bearing
6	1	7035-0006	Tilt Lock
7	1	7035-0007	Cam
8	1	7035-0008	Lever
9	2	7035-0009	Shoulder Bolt
10	1	7035-0010	Shaft
11	2	1002-1006	Hex Socket Head Cap Screw
12	2	1002-1008	Hex Socket Head Cap Screw
13	2	1202-0005	Spring
14	2	1024-0512	Spring Pin
15	4	1023-0310	Lock Washer
16	2*	1029-1025	Snap Ring
17	1*	7004	Helm Pump
18	1*	7031	Helm Pump
19	4	1001-1020	Hex Bolt
20	4	1022-0110	Hex Nut
21	1*	7035-0012	Tapered Shaft (7031 pump)
22	1*	7035-1012	Tapered Shaft (7004 pump)

All dimensions in inches (mm)

* Quantity may vary with options