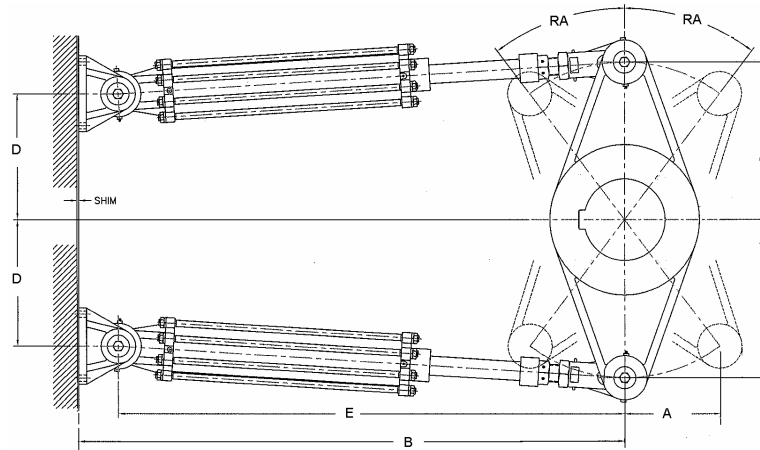


7097D HEAVY DUTY CYLINDERS

The 7097 Cylinder has a 7" (178 mm) ID tube with a 3½" (89 mm) stainless steel hard-chromed piston rod and is rated at 2000 psi (138 bar) maximum operating pressure. Spherical bearings are provided on both ends to allow for any slight misalignment during installation. Rudder stop nuts are provided to allow for precise adjustment during installation which will ensure that the pistons will bottom out either against the cylinder head or a stop nut.

Replaceable "V" packing seals are provided at the rod end. These cylinders are available in pre-honed steel tubes and coated with high grade paint. The piston rod is made from alloy steel and the tie rods are made of stainless steel. Most of the parts are made either in bronze or stainless steel. Because of the cylinder's rugged construction, many years of trouble-free service can be expected. The standard seals are easily replaceable.



Rudder Angle (RA) = 35°

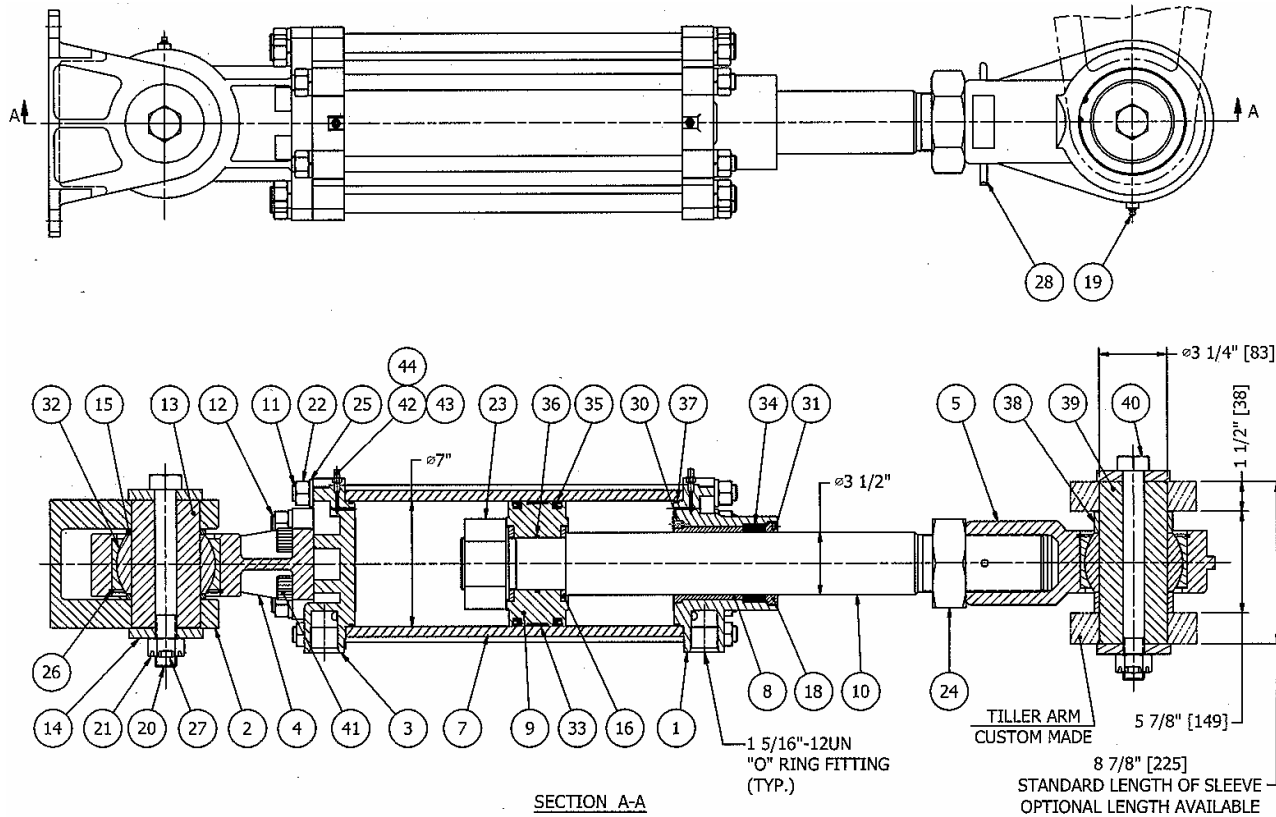
STROKE		TORQUE		DISPLACEMENT		A		B		C		D		E	
in.	mm	lb-ft	kg-m	in ³	cm ³	in.	mm	in.	mm	in	mm	in	mm	in	mm
24	610	192365	26596	1616	26481	12	305	77.5	1968	20.9	531	19.0	483	71.2	1809
30	762	240456	33245	2020	33102	15	381	86.5	2196	26.1	664	23.8	604	80.2	2038
36	914	288547	39894	4324	39722	18	457	95.5	2425	31.4	797	28.5	725	89.2	2267
42	1067	336638	46543	2828	46342	21	533	104.5	2654	36.6	930	33.3	846	98.2	2495

Rudder Angle (RA) = 45°

24	610	134695	18623	1616	26481	12	305	77.5	1968	17.0	431	14.5	368	71.2	1809
30	762	168369	23278	2020	33102	15	381	86.5	2196	21.2	539	18.1	460	80.2	2038
36	914	202043	27934	2424	39722	18	457	95.5	2425	25.5	647	21.7	552	89.2	2267
42	1067	235717	32590	2828	46342	21	533	104.5	2654	29.7	754	25.4	644	98.2	2495

Note: Torque is based on two cylinders and 2000 psi

MODEL 7097 PARTS LIST



ITEM	QTY	PART NO.	DESCRIPTION	ITEM	QTY	PART NO.	DESCRIPTION
1	1	7097D-0001	Front End Cap	23	1	7097-0022	Piston Retaining Nut
2	1	7097D-0002	Foot	24	1	1022-0288	Rod End Nut
3	1	7097D-0003	Rear End Cap	25	28	1023-0318	Lock Washer
4	1	7096-0004	Rod End	26	2	1029-3500	Retaining Ring
5	1	7096-0005	Stop Nut	27	2	1026-0832	Cotter Pin
6	-	-	-	28	1	1026-1260	Cotter Pin
7	1	7097-0006	Tube	29	-		
8	1	7097-0007	Rod Bushing	30	4	1016-1208	Set Screw
9	1	7097-0008	Piston	31	1	1016-1004	Set Screw
10	1	7097-0109	Piston Rod	32	2	7096-8220	Spherical Bearing
11	8	7097-0010	Tie Rod (short)	33	2	7097-0032	Wear Ring
12	6	7096-0011	Tie Rod (long)	34	1	7097-0033	"V" Packing
13	1	7096D-0012	Rear Bearing Sleeve	35	2	1102-2048	"U" Cup
14	4	7096-0013	Sleeve Retainer	36	1	1101-0234	"O" Ring
15	2	7096-0014	Rear Spacer	37	2	1101-0262	"O" Ring
16	2	7097-0016	Piston Washer	38	2	7097-0037	Front Spacer
17	-			39	1	7097-0038	Front Bearing Sleeve
18	1	7097-0018	Packing Nit	40	1	1041-0216110	Front Hex Cap Screw
19	2	1501-0302	Grease Nipple	41	4	1002-1532	Socket head screw
20	1	1001-72136	Hex Cap Screw	42	2	7094D-0015	Bleeder Block
21	2	1022-0572	Castle Nut	43	2	7040-0011	Bleeder Screw
22	28	1022-0267	Tie Rod Nut	44	2	1301-0005	Ball