



MODEL 7178 PANORAMIC RUDDER ANGLE INDICATOR

This bronze and stainless steel unit was specially designed so you can have a good view of the designated rudder position signal from all areas within the wheelhouse.

Equipped with a manual dimmer for the background illumination, the internal parts are accessible through a removable plate at the bottom of the unit. The illuminating light bulbs have a nominal life cycle of 30,000 hours.

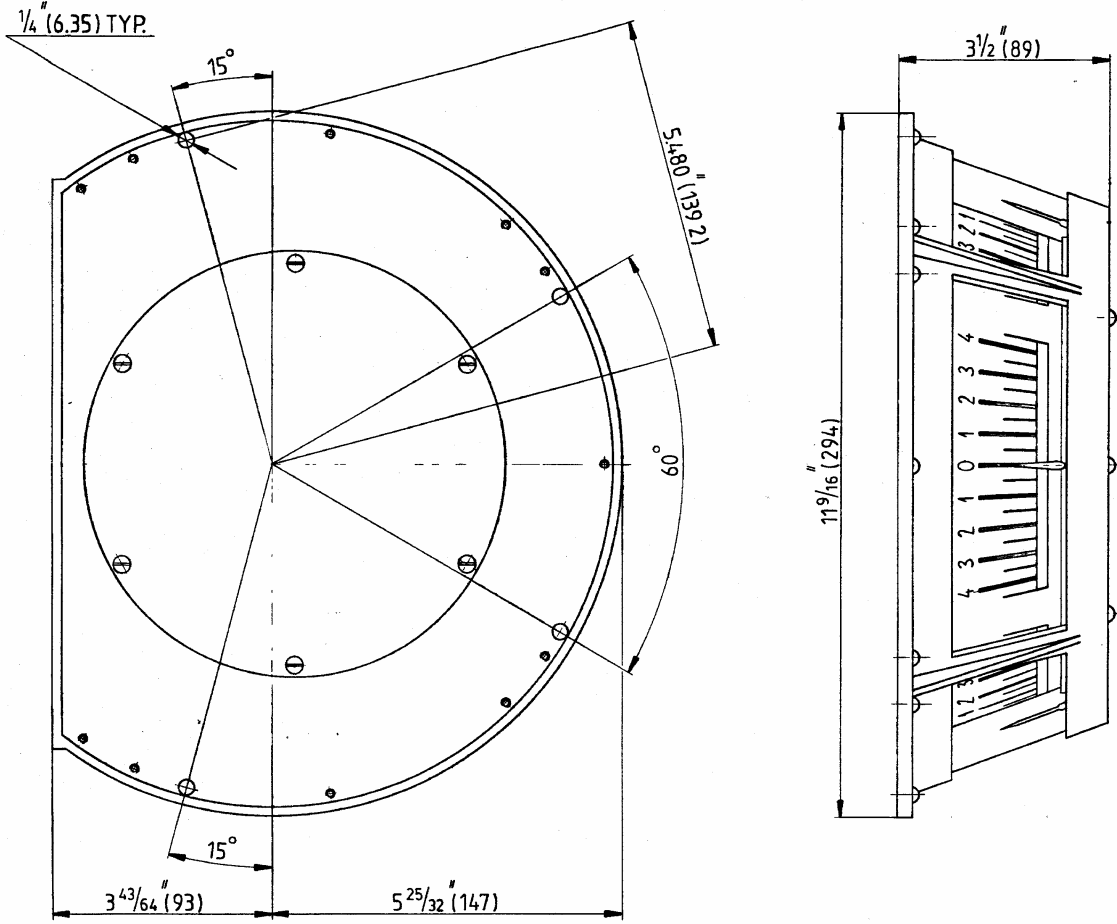
The unit is available in either 12- or 24-Volt DC options.

Ordering Information

7178-DC12	12 Volt
7178-DC24	24 Volt

Weight: 13 lb. (6 kg)

MODEL 7178 Panoramic Rudder Angle Indicator



All dimensions in inches (mm)